



KINGTEC

CONSTRUCTION MACHINERY AIR-CONDITONER



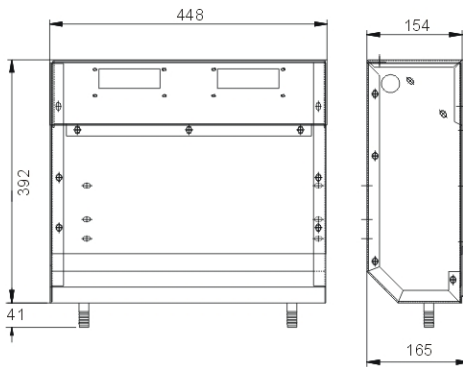
KT024NR

Rear-Mounted Type

Cool & Heat Air-Conditioning Unit

Different Applications Require The Use Of Appropriate

Cooling Capacity	16000 Btu/h
Heating Capacity	23000 Btu/h
Air Volume	350m ³ /h
Current	DC24V/3.6A
	DC12V/7.2A
Weight	11Kg
Remark	Different applications use appropriate condenser & compressor



Dimensions: mm

Application: Architecture, Mining & Agricultural Machinery, Etc.

This A / C system provide maxima cooling in such tiny equipment, it perfect for the narrow cabin, the multi air flow system can easily adjust the air outlet in anywhere, make installation more easier.

